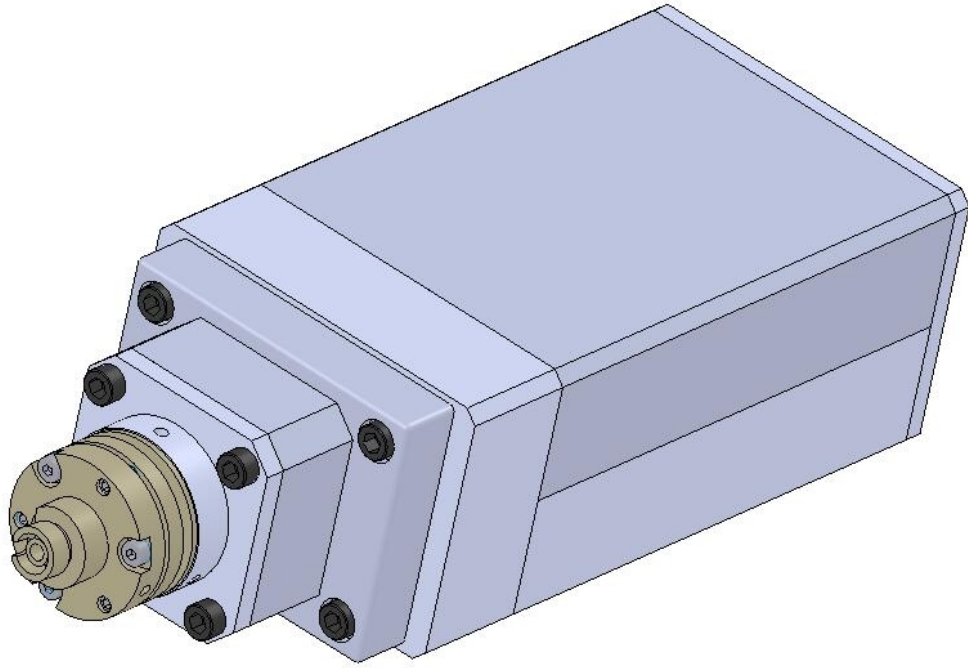


Cat

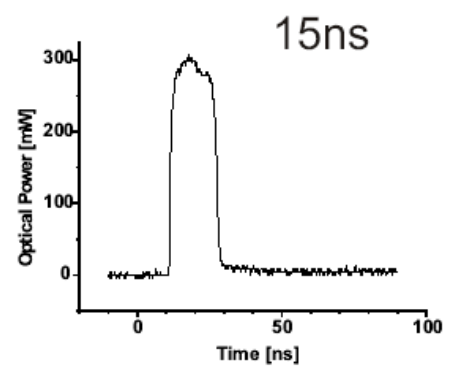
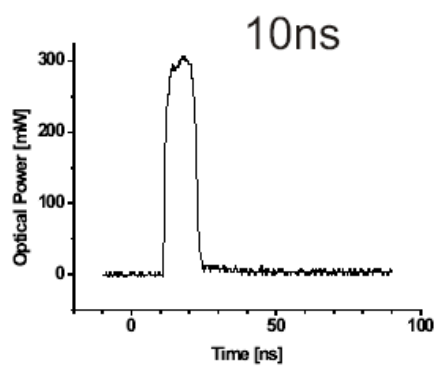
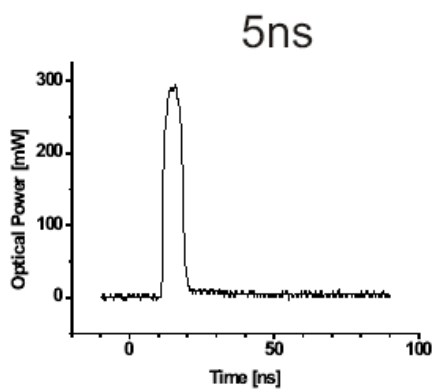
Nano-Second Pulsed Diode Laser
Designed for DFB and FP Lasers
Low Noise, High Thermal Stability

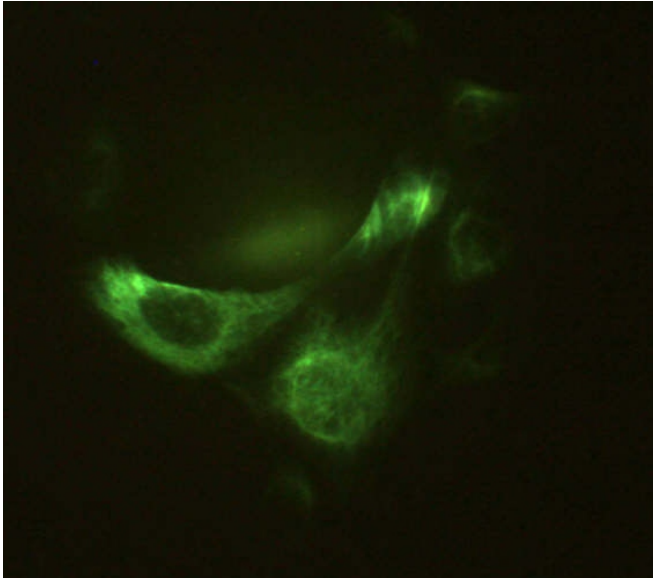
Industrial Lasers





ns Pulsed Diode Lasers for industrial and scientific applications





Vimentin staining in mouse 3T3 fibroblasts

Mouse fibroblast cells were labeled with antibodies specific for vimentin, which is part of the cytoskeleton. Bound antibodies are visualized via attached fluorochromes which upon excitation with 405nm-blue diode laser "CAT", emit green light at 540nm.

Application Example

Fluorescence Spectroscopy

Improved contrast through selection of suitable laser wavelength and dyes: Fluorescence staining techniques are frequently used in biological research and diagnosis due to their high specificity and sensitivity. Thus, for example antibodies specific for vimentin are often observed in the sera of patients suffering from autoimmune diseases or viral infections (e.g. Measles).

In biomedical research, expression and distribution of fluorochrome-labeled molecules can even be visualized in living cells.

About Sacher Lasertechnik

Company Profile

Sacher Lasertechnik is leading manufacturer of tunable external cavity diode lasers (ECDLs) with more than 20 years of experience. The product range includes anti-reflection coated diode lasers, ECDLs in Littrow and in Littman/Metcalf configuration as well as driver electronics for the LD and sophisticated measuring electronics. Please contact us with your measurement requirements. We would be proud to support you with our competence.

Please contact us or our local representative

Sacher Lasertechnik
GmbH
Rudolf-Breitscheid-Str. 1-5
D-35037 Marburg/Lahn
Germany
Tel.: +49 6421 305 - 0
Fax: +49 6421 305299

Sacher Lasertechnik
LLC
5765 Equador Way
Buena Park, CA90620
U. S. A.
Tel.: 1-800-352-3639
Fax: 1-714-670-7662

Email: contact@sacher-laser.com
Web: <http://www.sacher-laser.com>

